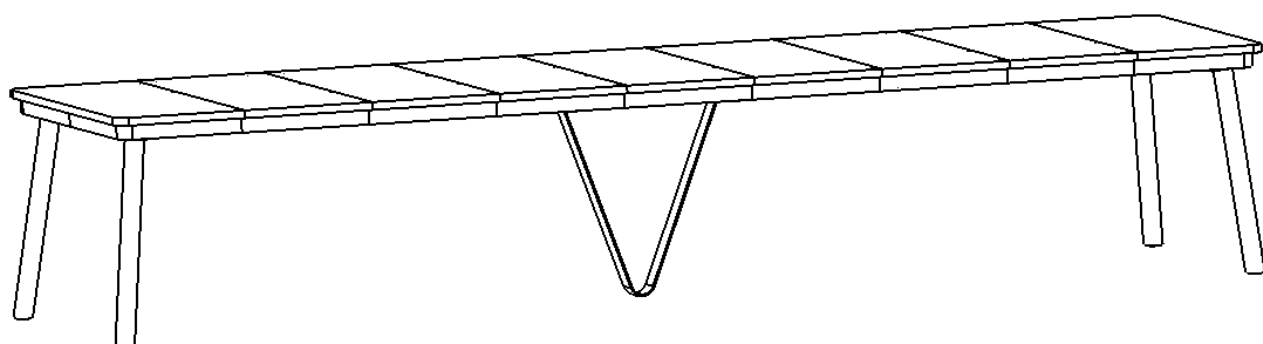
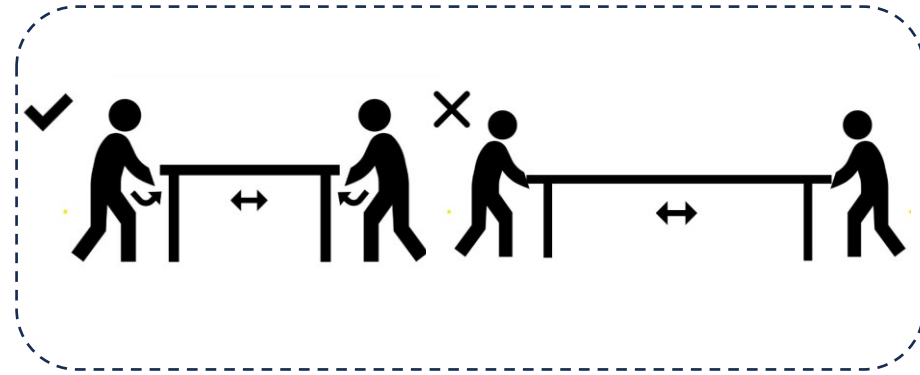
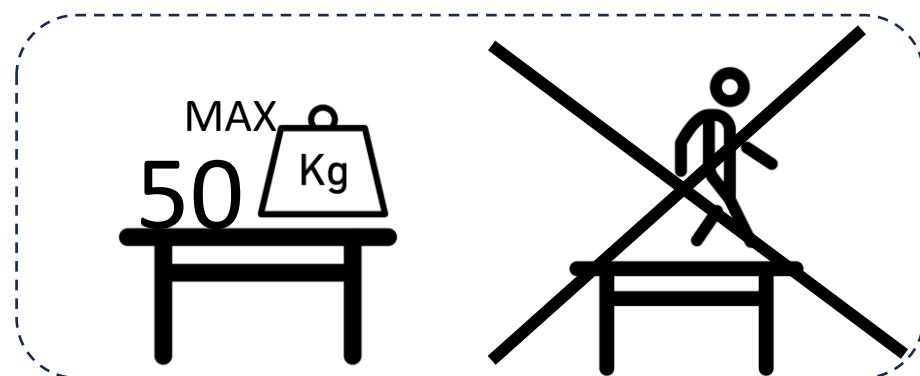
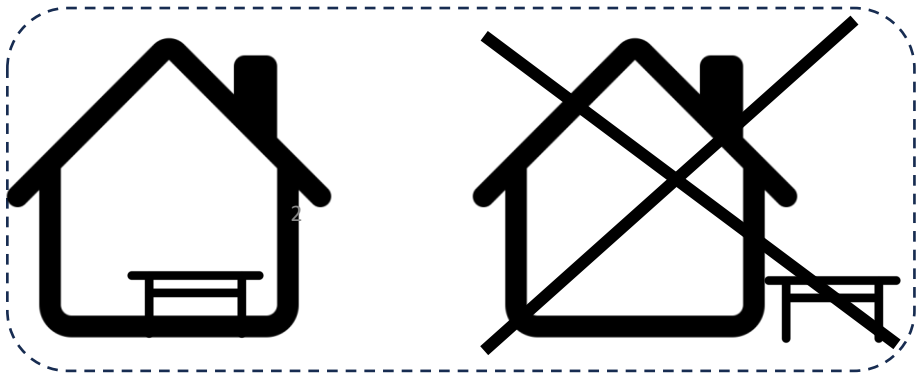
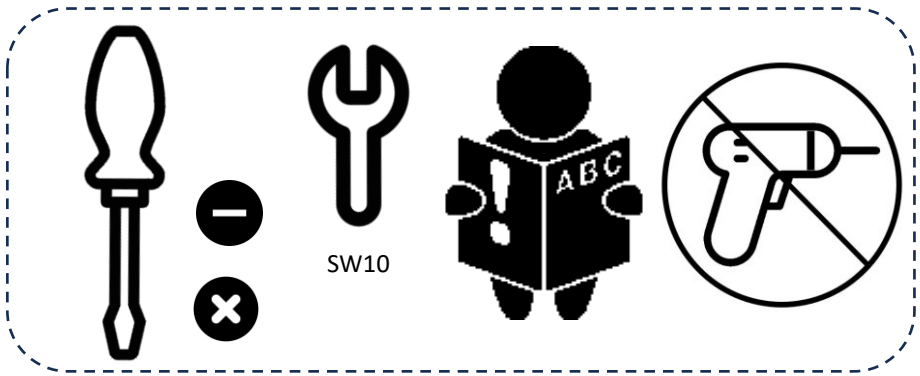
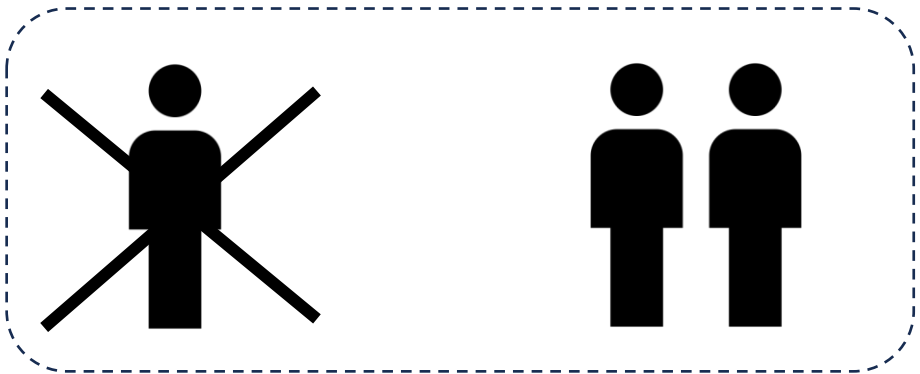
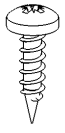


# VELAR







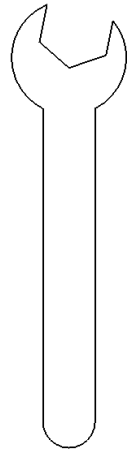
68x



8x



4x



1x



70x



14x



14x



28x



28x



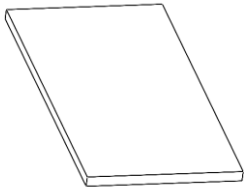
4x



8x



8x



1x



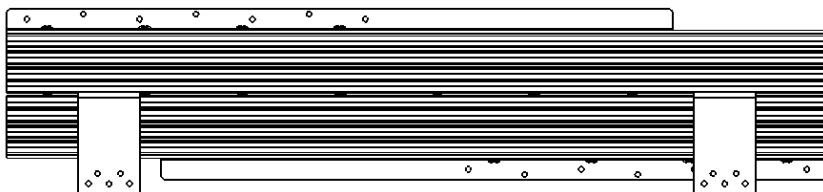
4x



4x



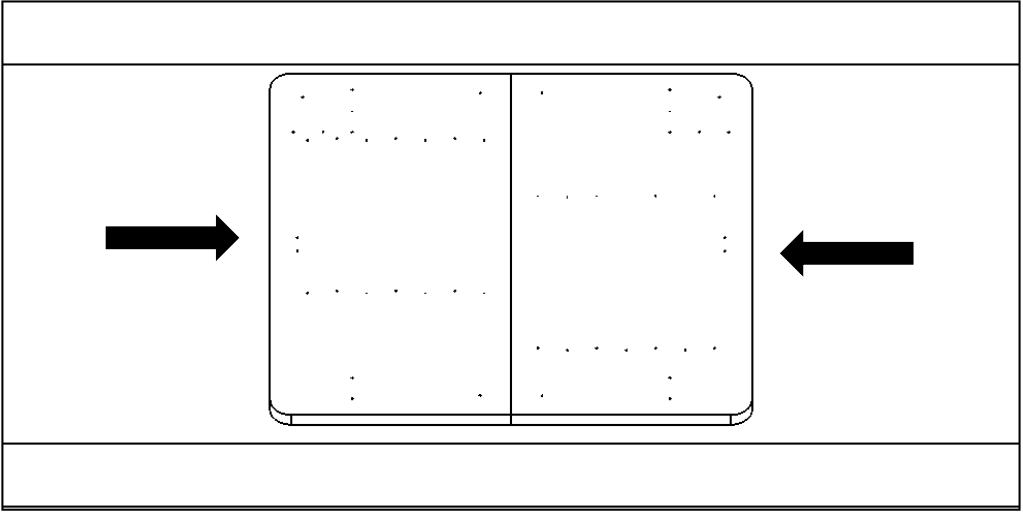
4x



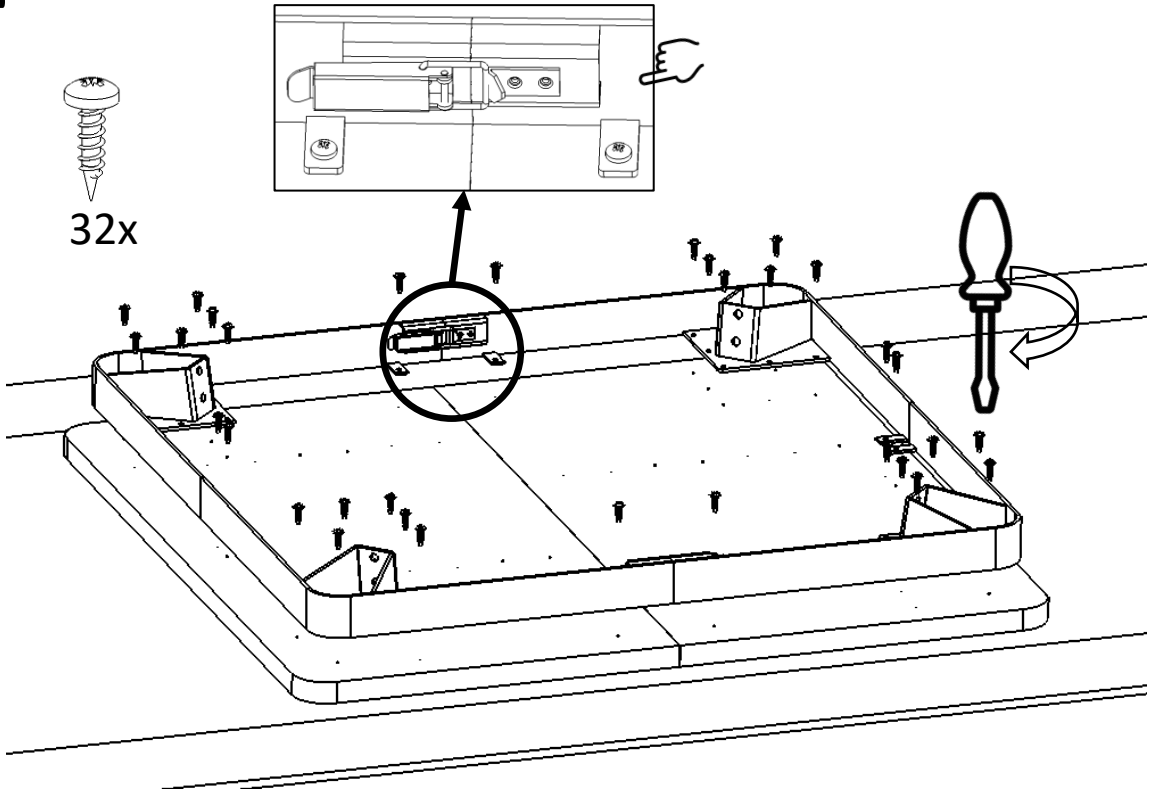
2x



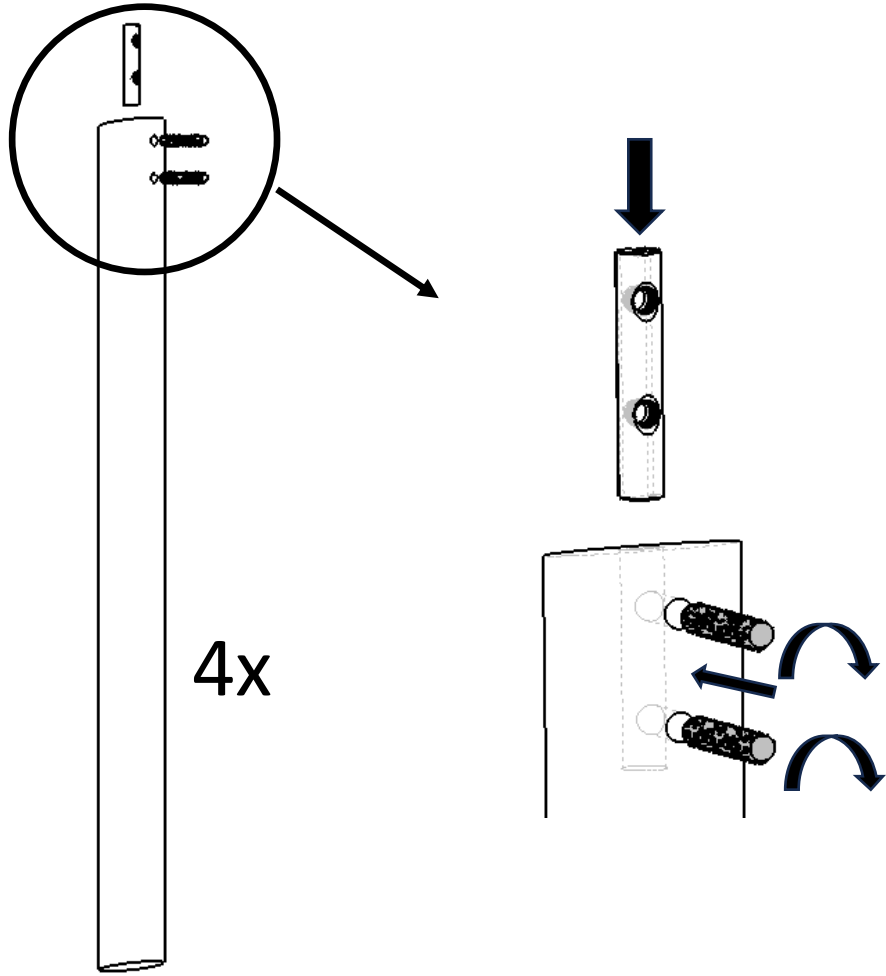
# 1



# 2

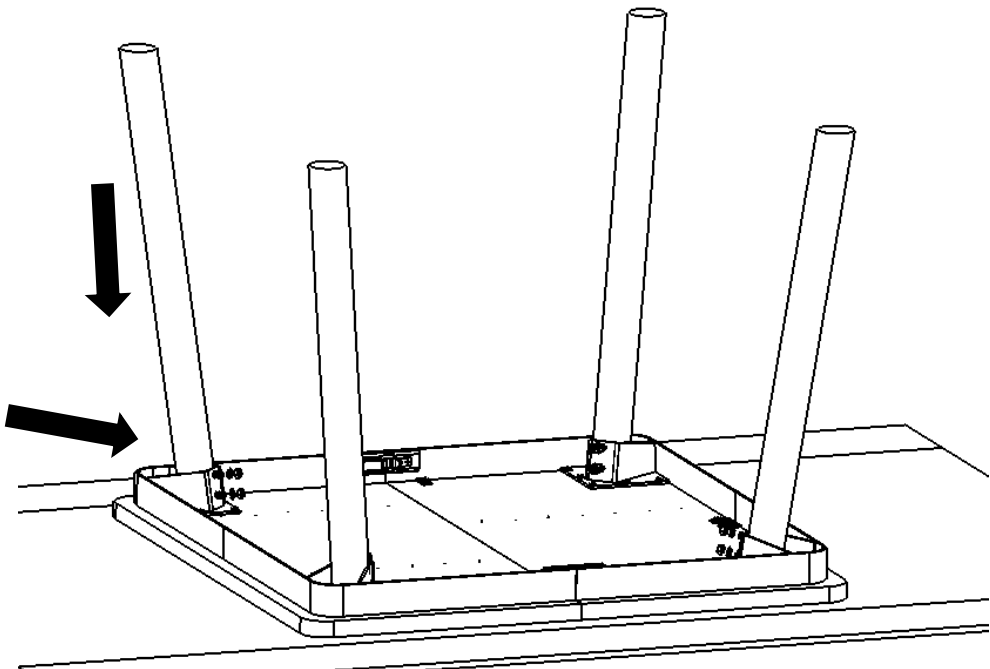


3



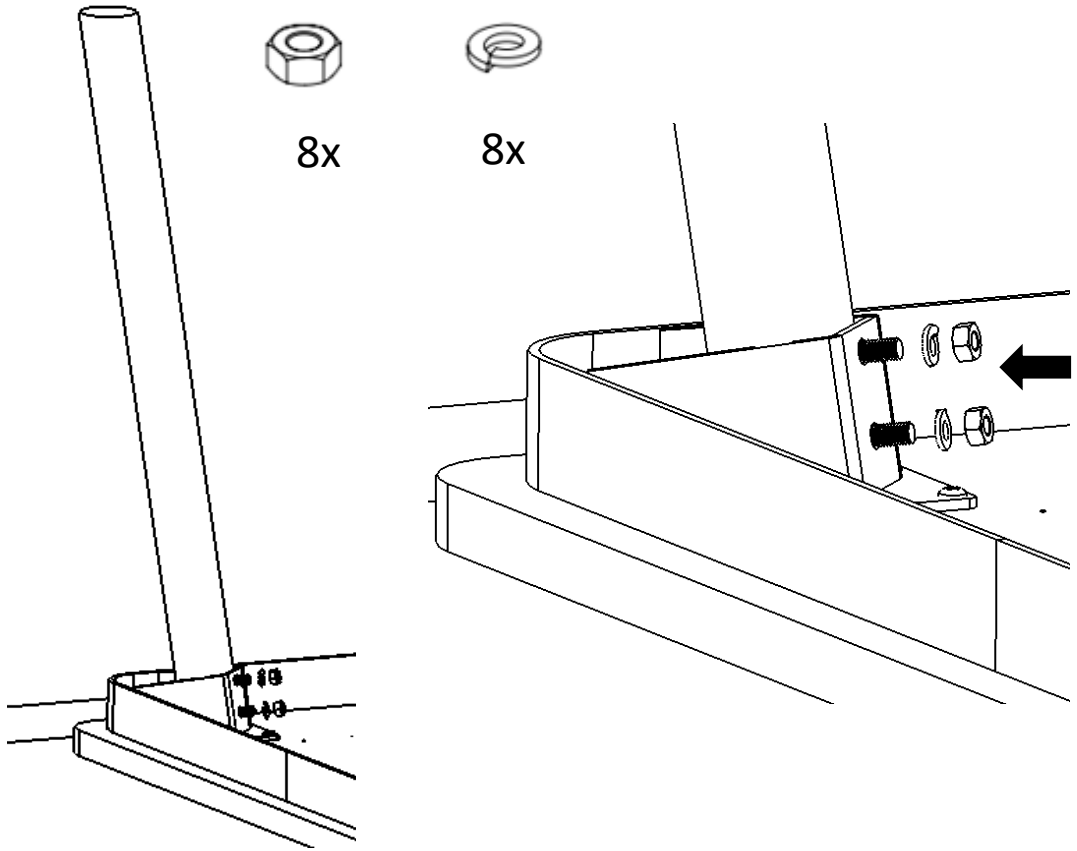
4x

4

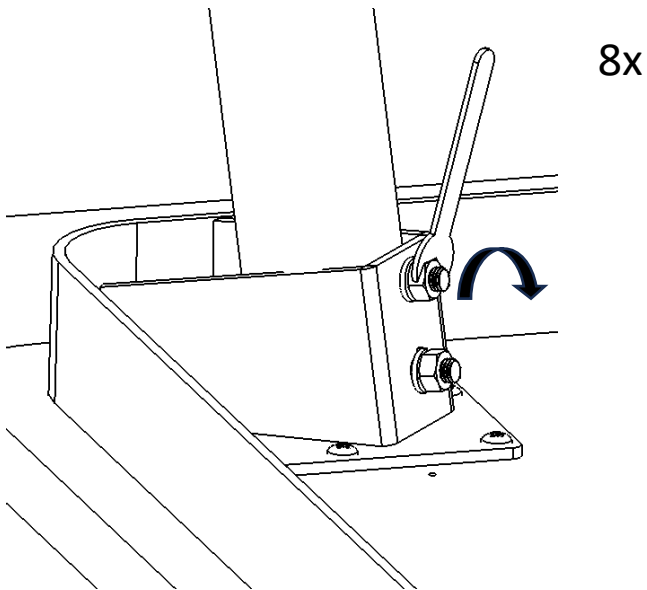


4x

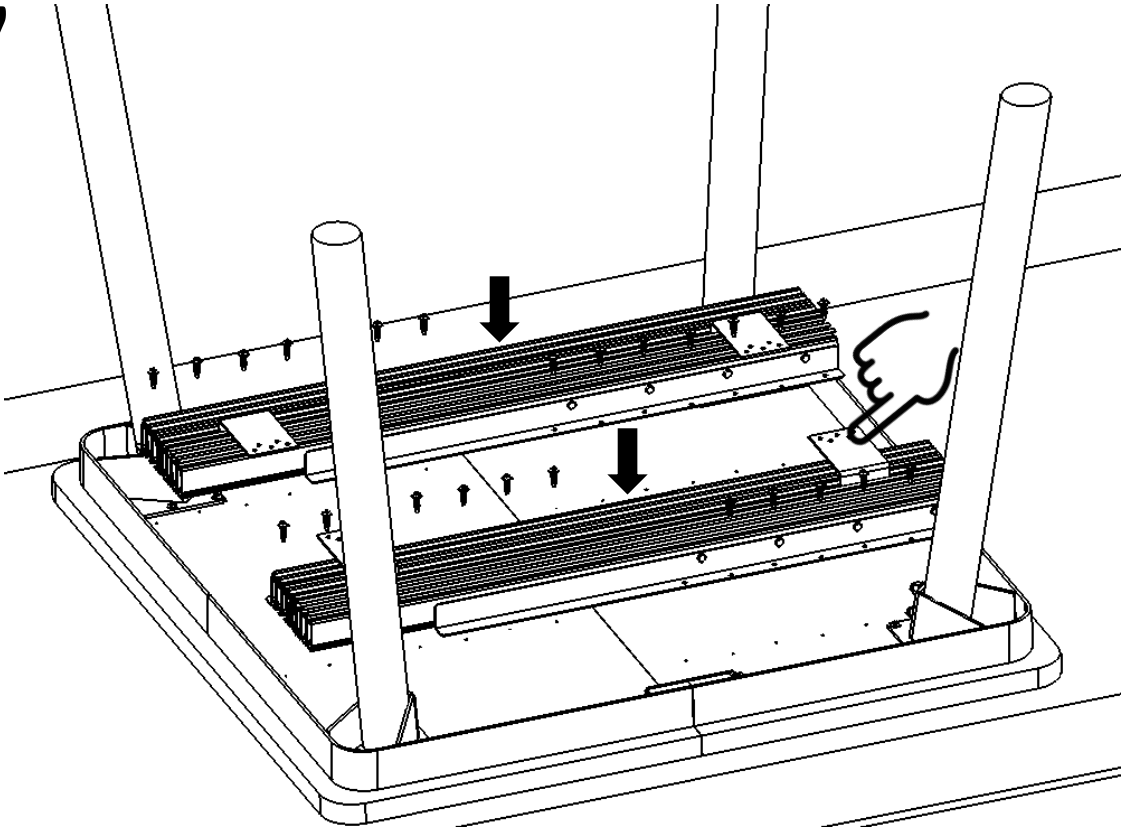
5



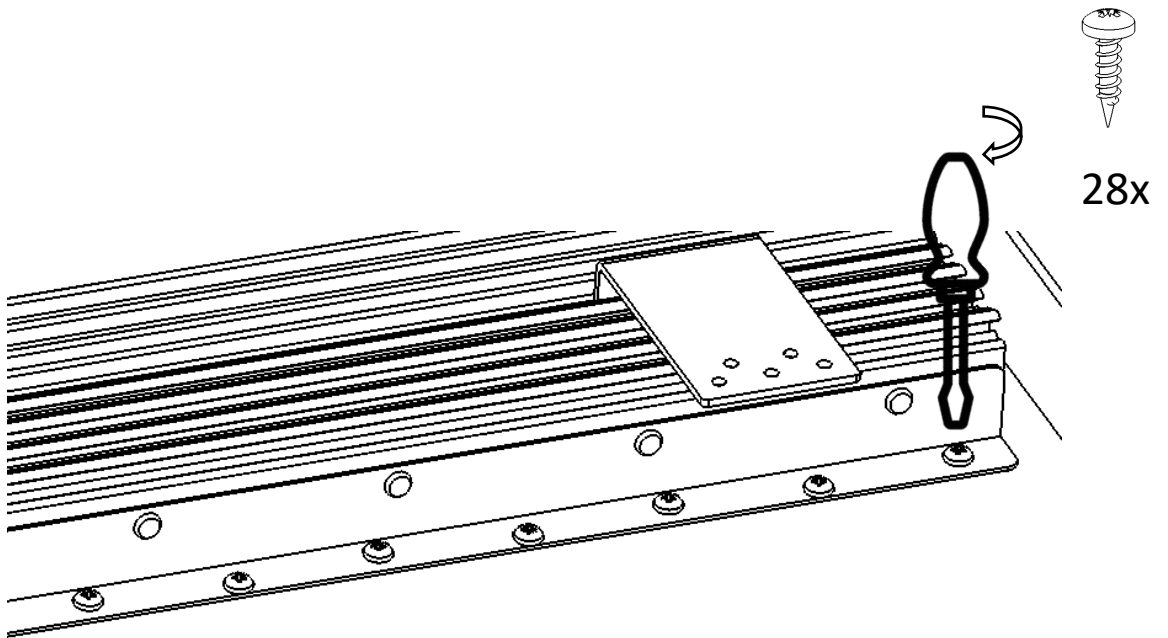
6



7



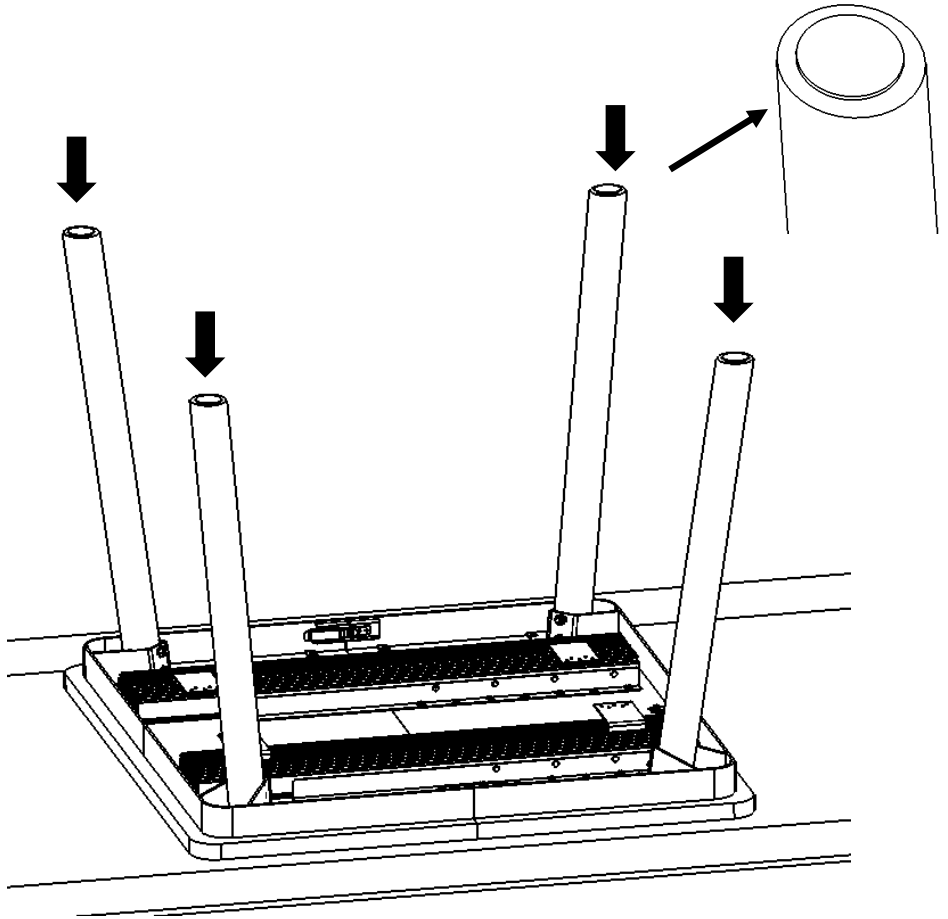
8



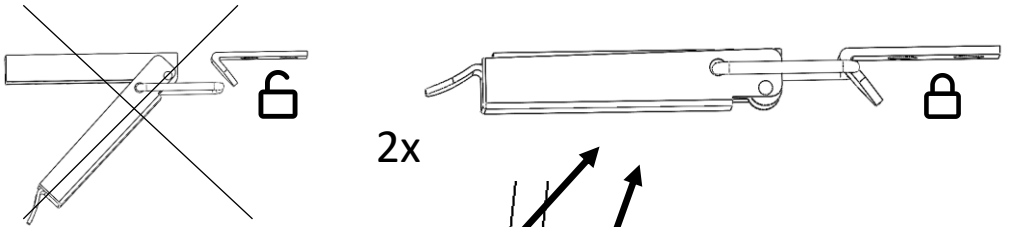
9



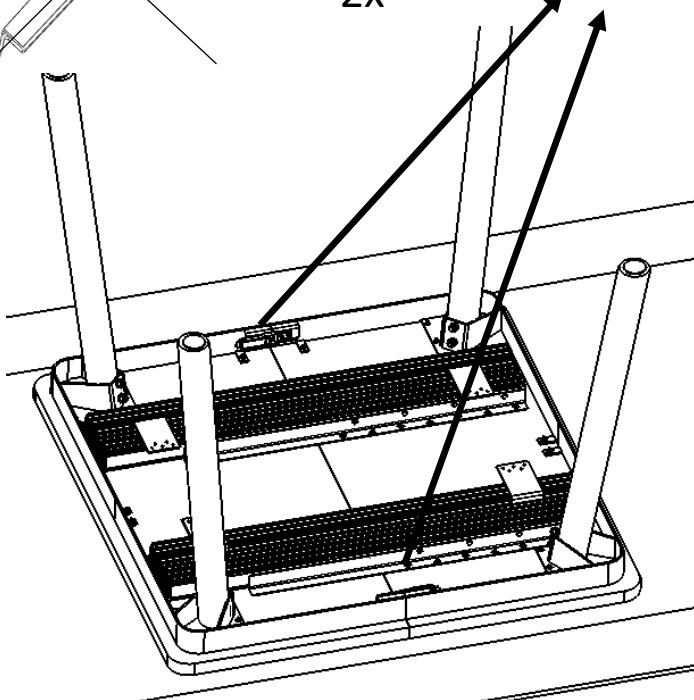
4x



10

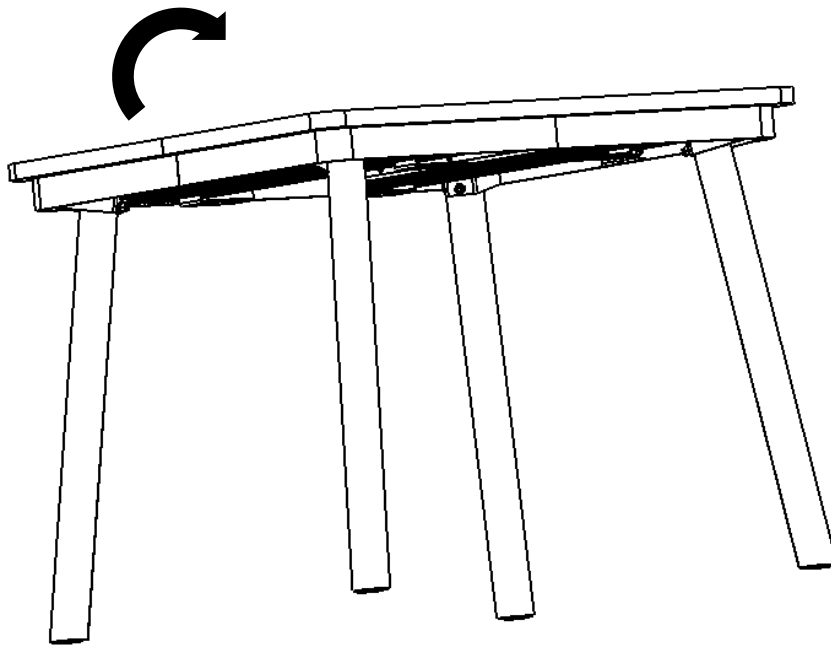


2x

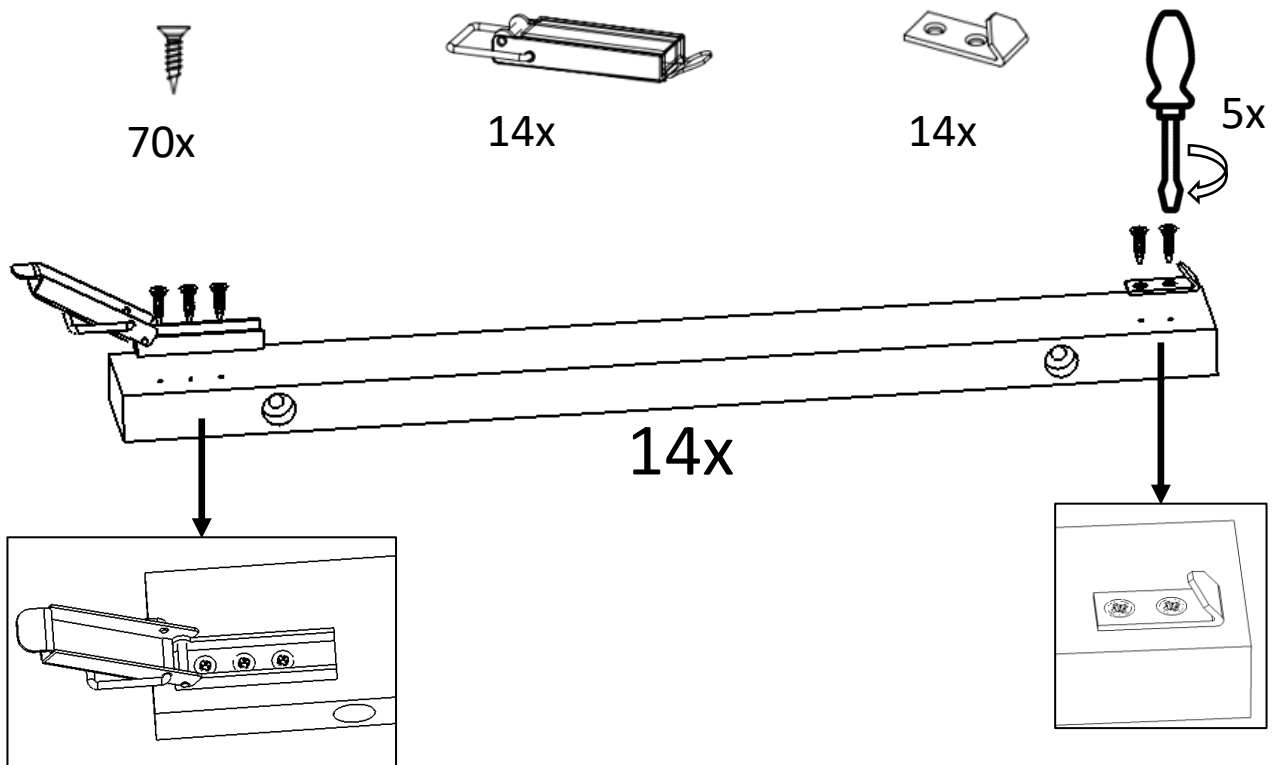




# 11



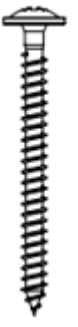
# 12



# 13

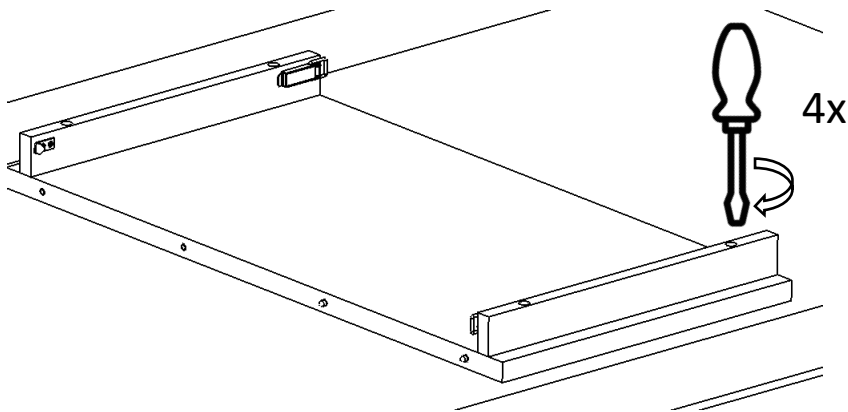
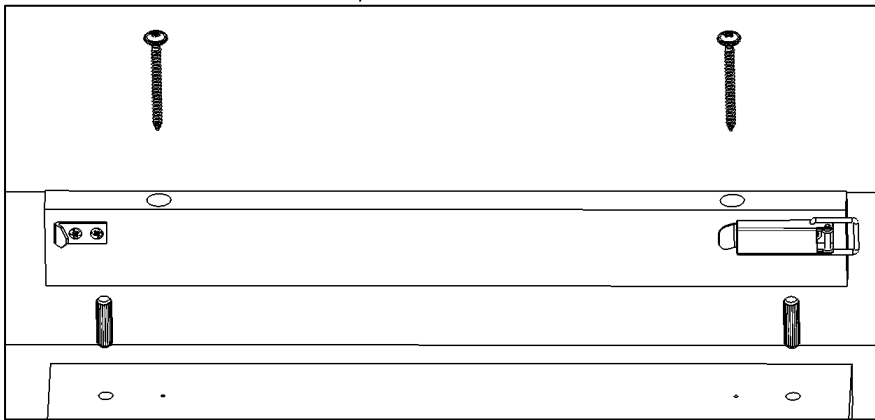
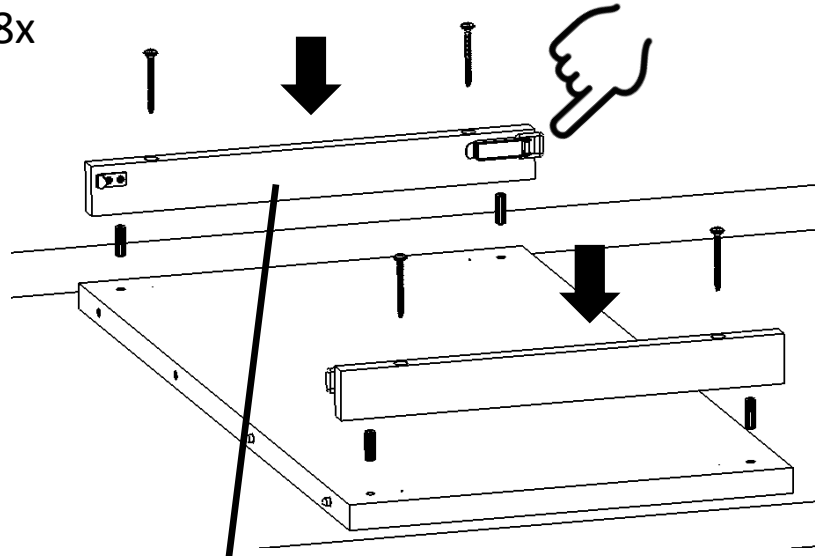


28x

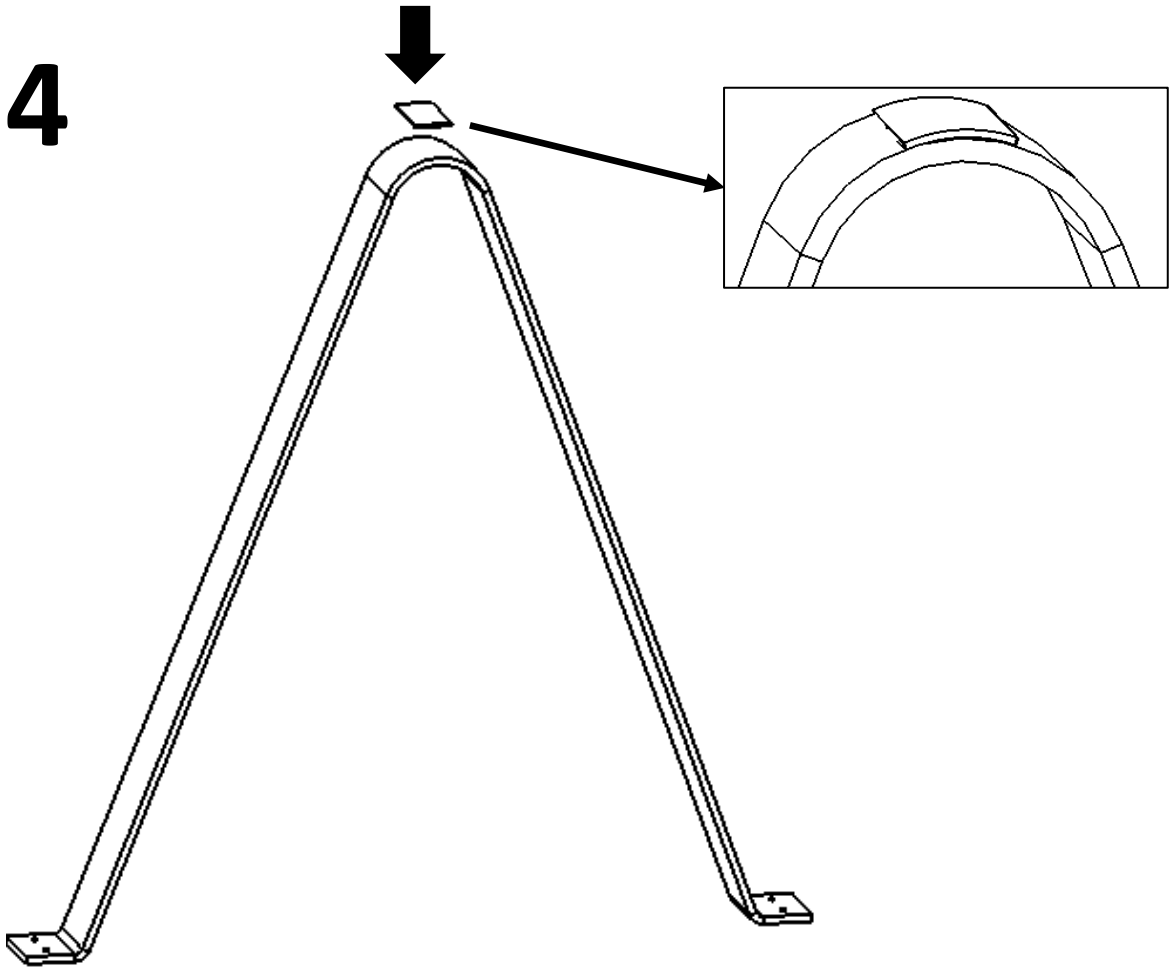


28x

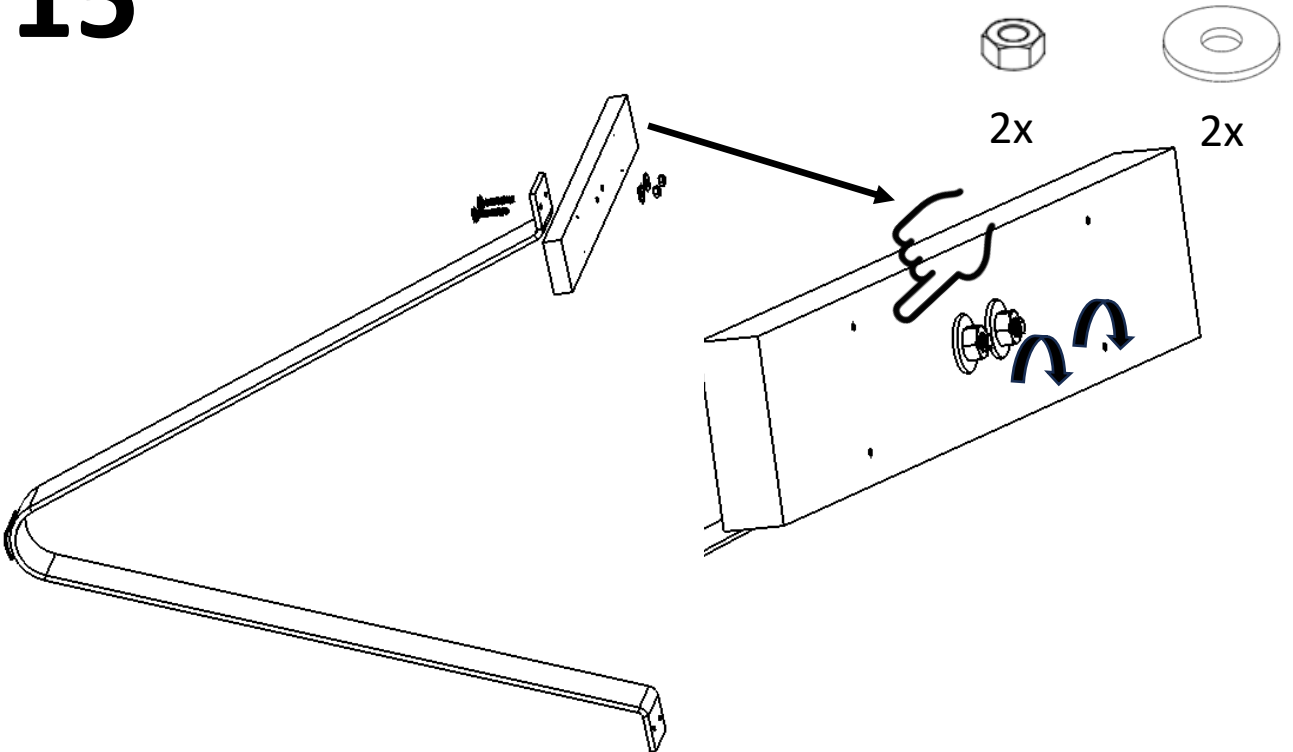
7x



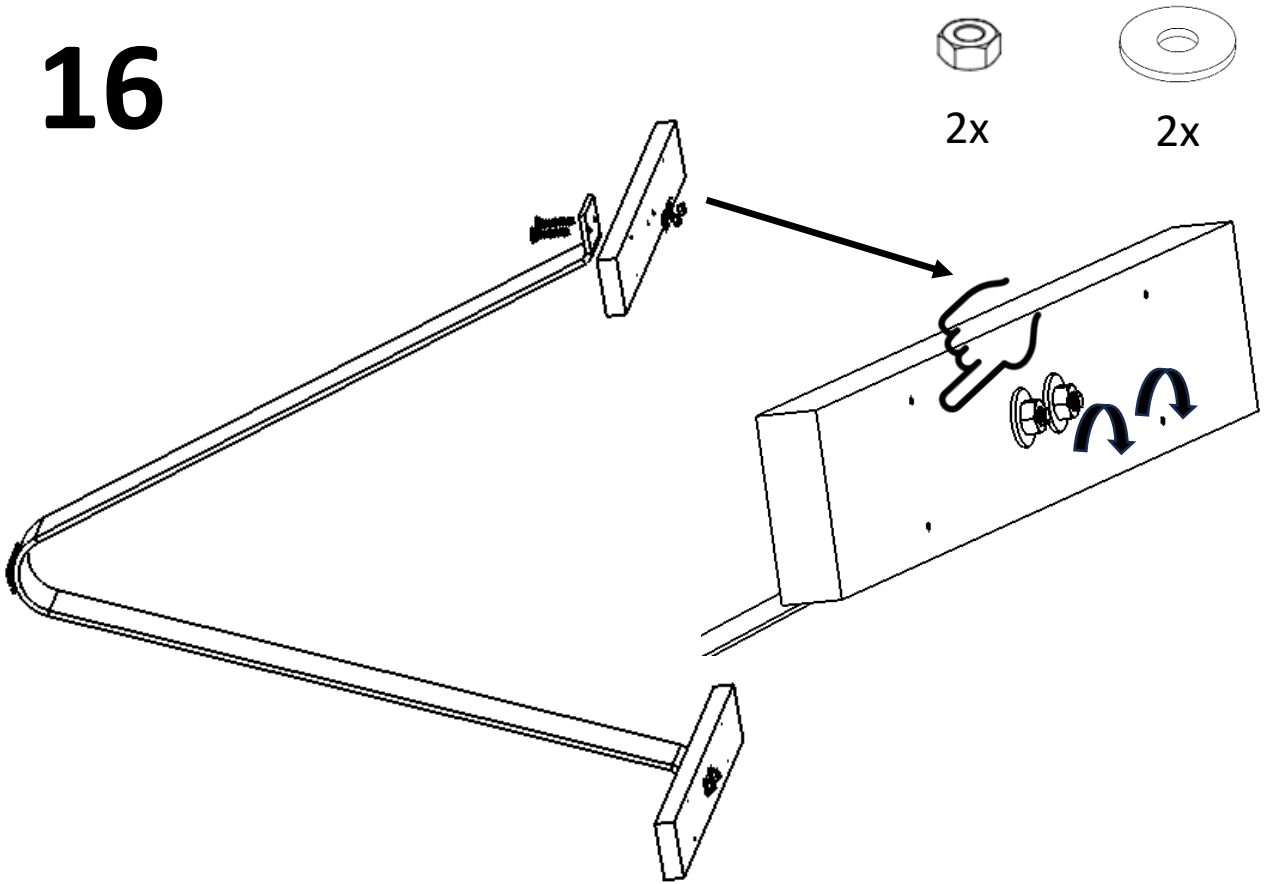
14



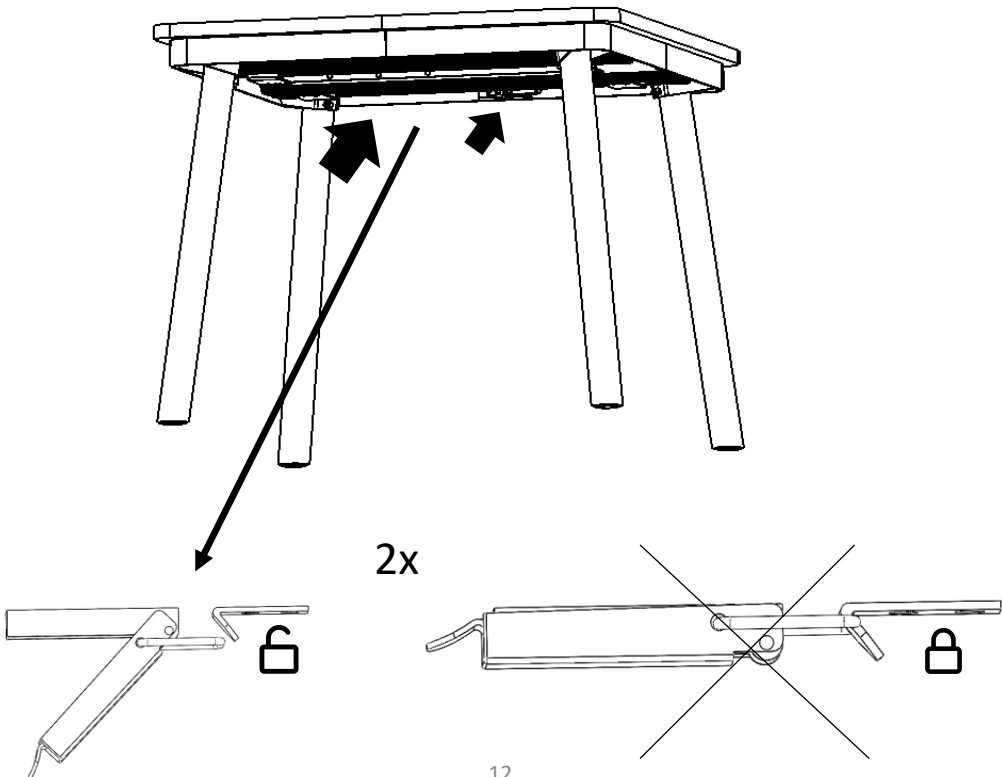
15



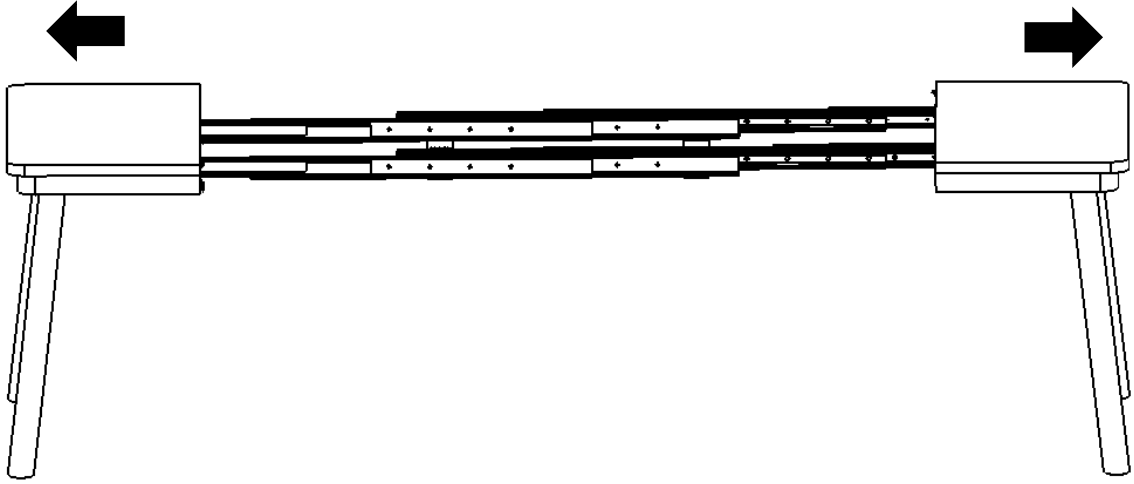
# 16



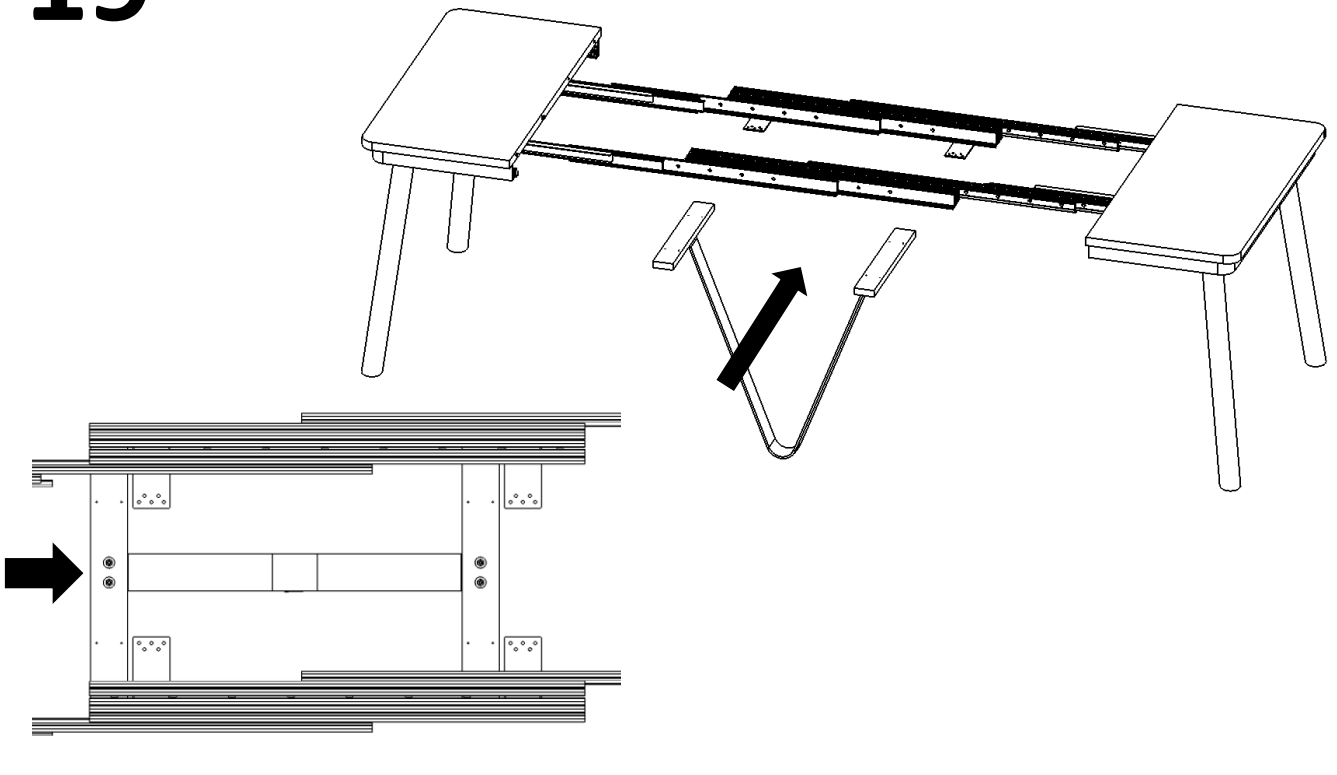
# 17



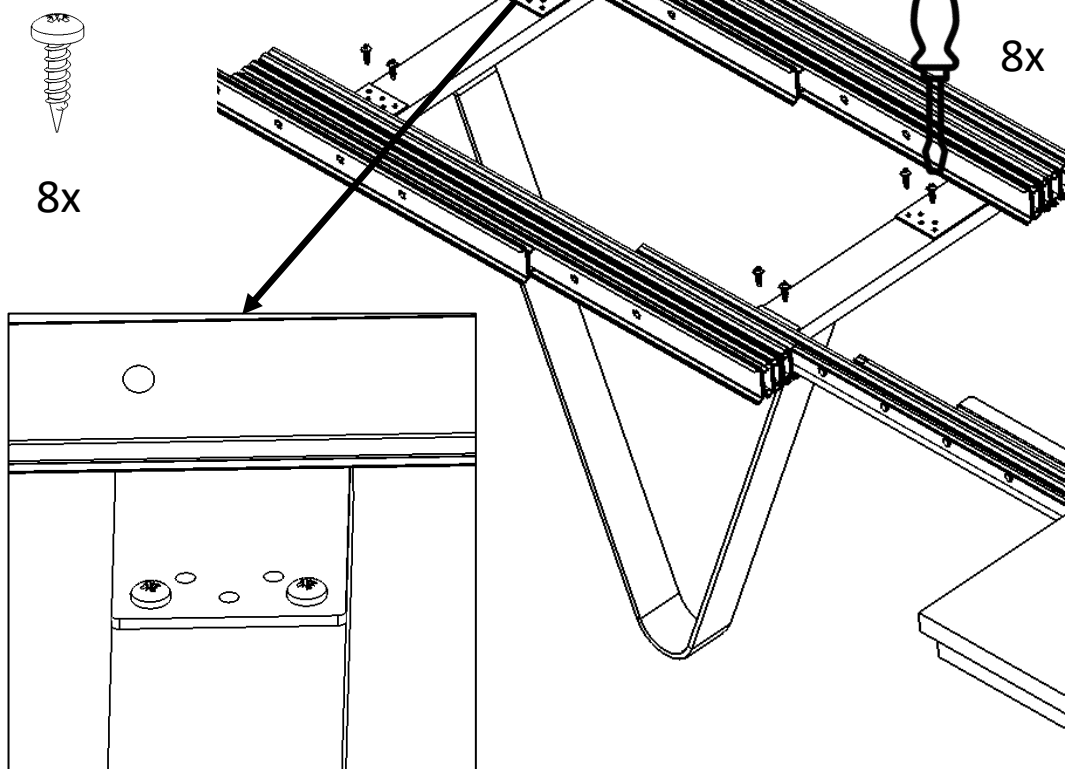
# 18



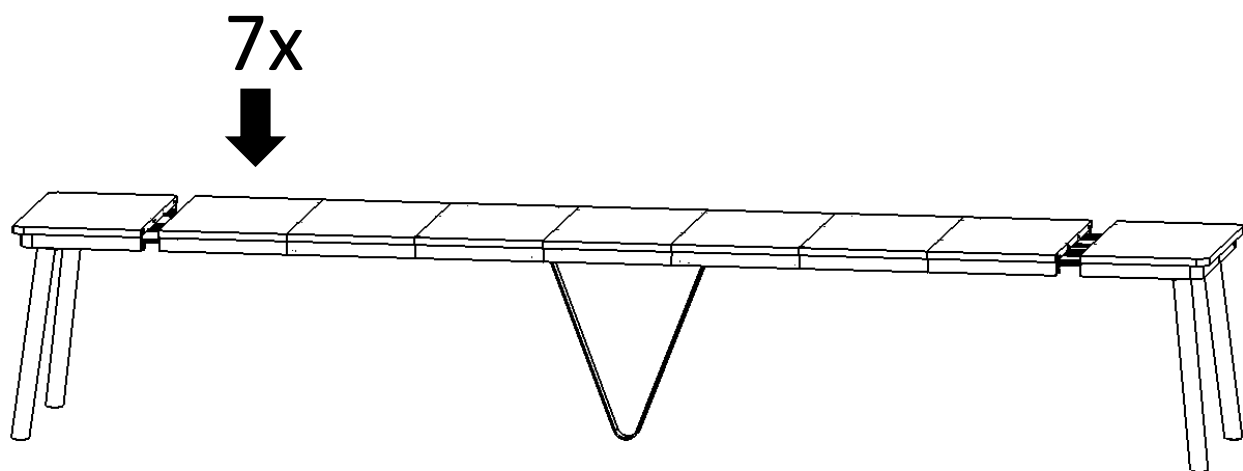
# 19



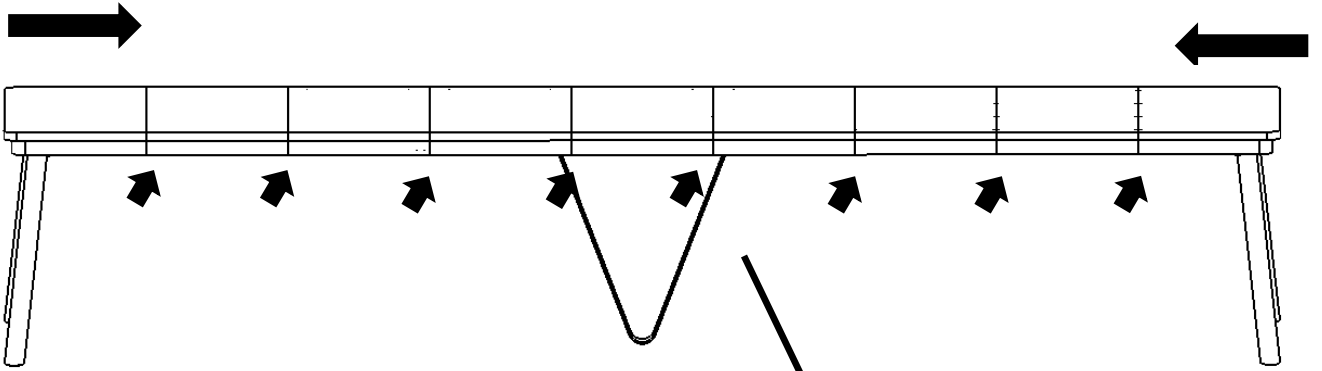
# 20



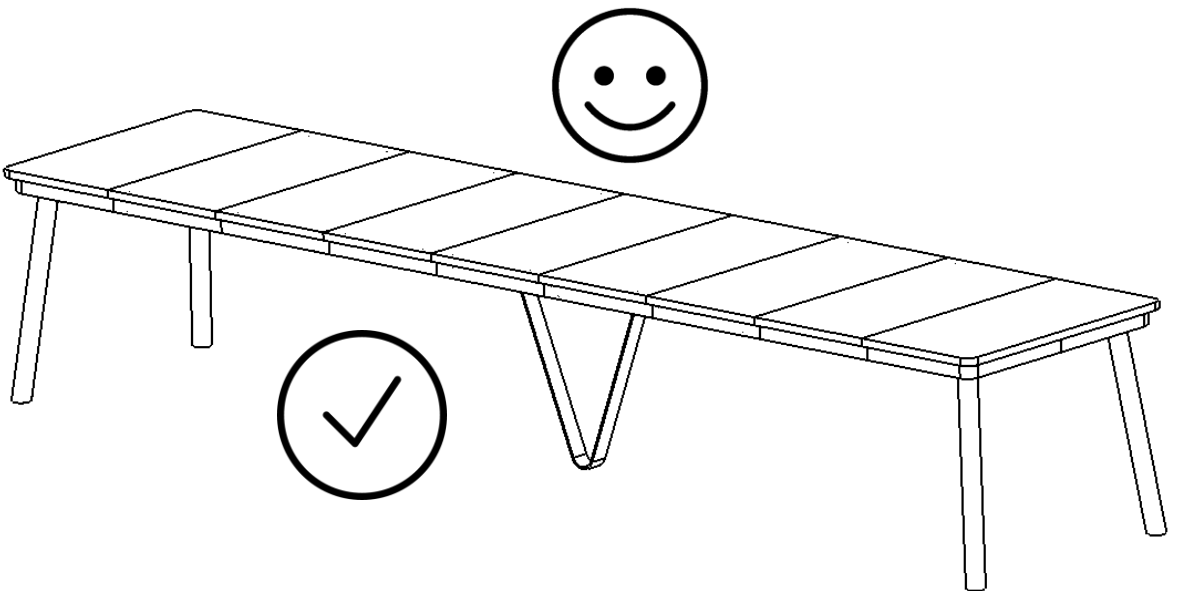
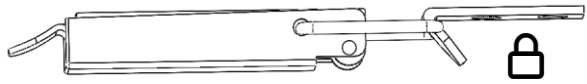
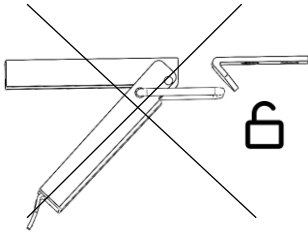
# 21



# 22



16x



**Producent**

Polsal Sp. z o.o.  
Rzeszowska 12  
36-200 Brzozów  
marketing@polsal.com.pl